

TERMINAL BLOCK

Model IKU

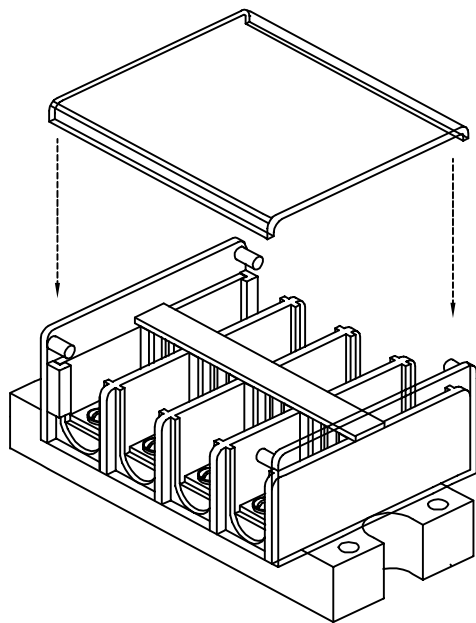
APPLICATION:
Control and power wire termination.
Short circuiting versions for meter servicing, CT tap changing, ETC..

RATING:
600 VAC, 50 AMP

WIRE RANGE:
18-10 AWG

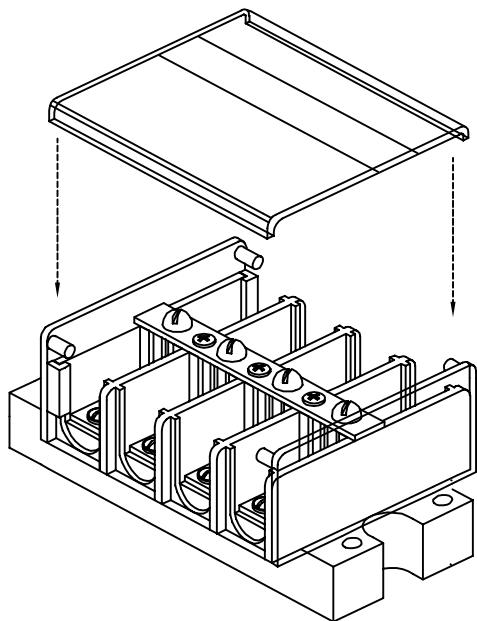
- FEATURES:**
- Rugged chip resistant heavy duty construction
 - 4,6,8 and 12 pole configurations
 - # 10-32 tin plated slotted washer head terminal screws
 - U.L. recognized 105°C thermoplastic body material
 - 4 and 6, 8 pole configurations available as shorting type with covers, 4 slotted shorting screws and screw "Parking Stations"
 - Surface mounting flat base for direct one piece terminal block replacement
 - Marking strip provided (on the cover for shorting blocks, on the base otherwise)
 - Optional clear bi-directional hinged plastic cover
 - Wide brass terminals allow lugs up to 1/2" in width
 - Wire size - copper 18-10 AWG.

REGULATORY AGENCY APPROVALS



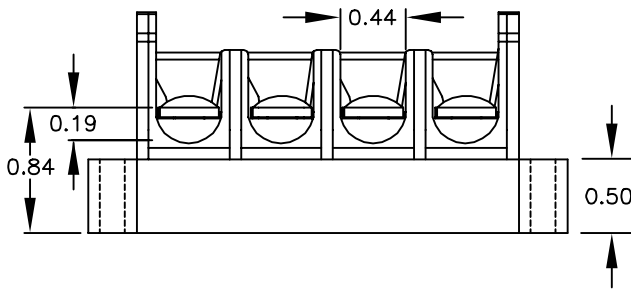
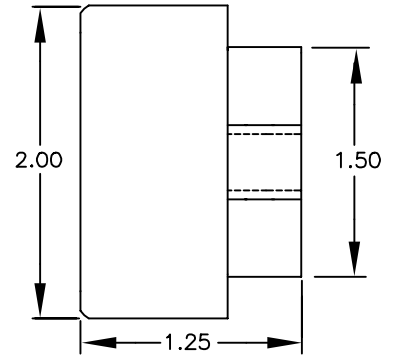
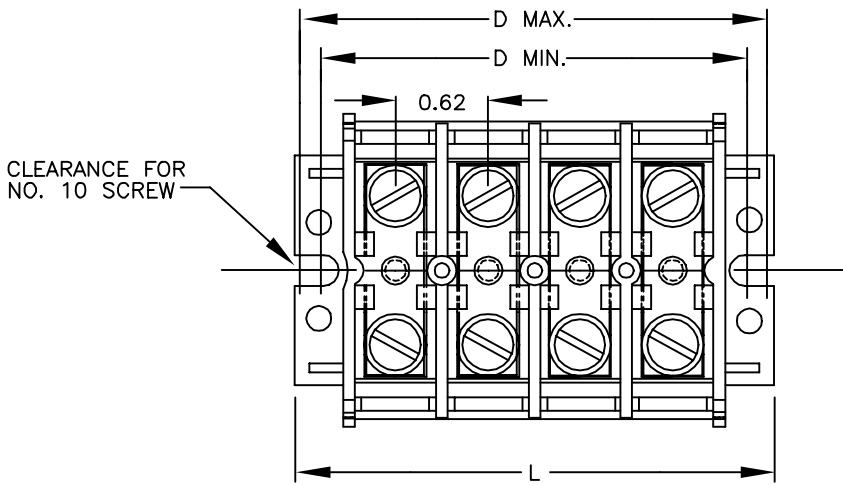
TERMINAL BLOCKS

| CATALOG NO. WITHOUT COVER | CATALOG NO. WITH COVER | # POLES |
|---------------------------|------------------------|---------|
| IKU4 | IKU4C | 4 |
| IKU6 | IKU6C | 6 |
| IKU8 | IKU8C | 8 |
| IKU12 | IKU12C | 12 |



SHORTING TYPE TERMINAL BLOCKS

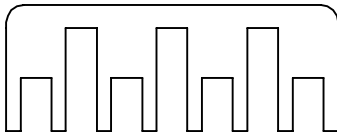
| CATALOG NO. WITHOUT COVER | CATALOG NO. WITH COVERS | # POLES |
|---------------------------|-------------------------|---------|
| IKU4S | IKU4SC | 4 |
| IKU6S | IKU6SC | 6 |
| IKU8S | IKU8SC | 8 |



| CAT.# | CKTS. | L | MOUNTING | |
|-------|-------|------|----------|--------|
| | | | D MIN. | D MAX. |
| IKU4 | 4 | 3.25 | 2.88 | 3.00 |
| IKU6 | 6 | 4.50 | 4.12 | 4.25 |
| IKU8 | 8 | 5.75 | 5.38 | 5.50 |
| IKU12 | 12 | 8.25 | 7.88 | 8.00 |

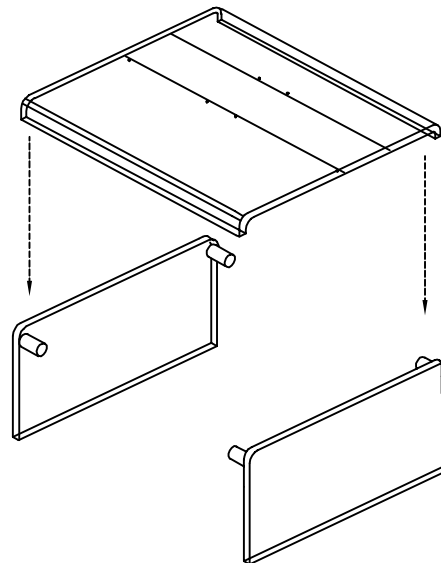
ACCESSORIES:

JUMPERS



| CATALOG NUMBER | NUMBER OF POLES |
|----------------|-----------------|
| IKUJ2 | 2 |
| IKUJ3 | 3 |
| IKUJ4 | 4 |
| IKUJ6 | 6 |
| IKUJ8 | 8 |
| IKUJ10 | 10 |
| IKUJ12 | 12 |

COVER KIT



| CATALOG NUMBER | NUMBER OF POLES |
|----------------|-----------------|
| IKUC4 | 4 |
| IKUC6 | 6 |
| IKUC8 | 8 |
| IKUC12 | 12 |